

6

5

4

3

2

1

D

D

C

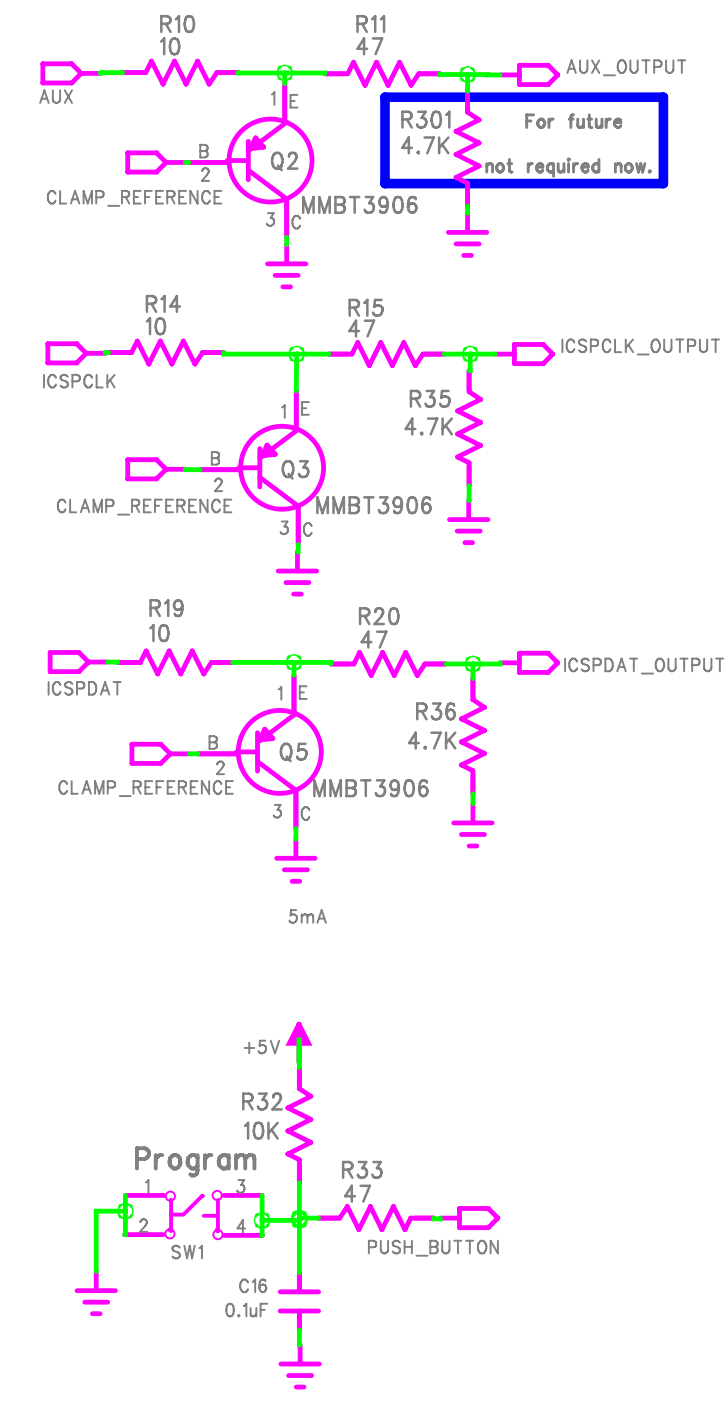
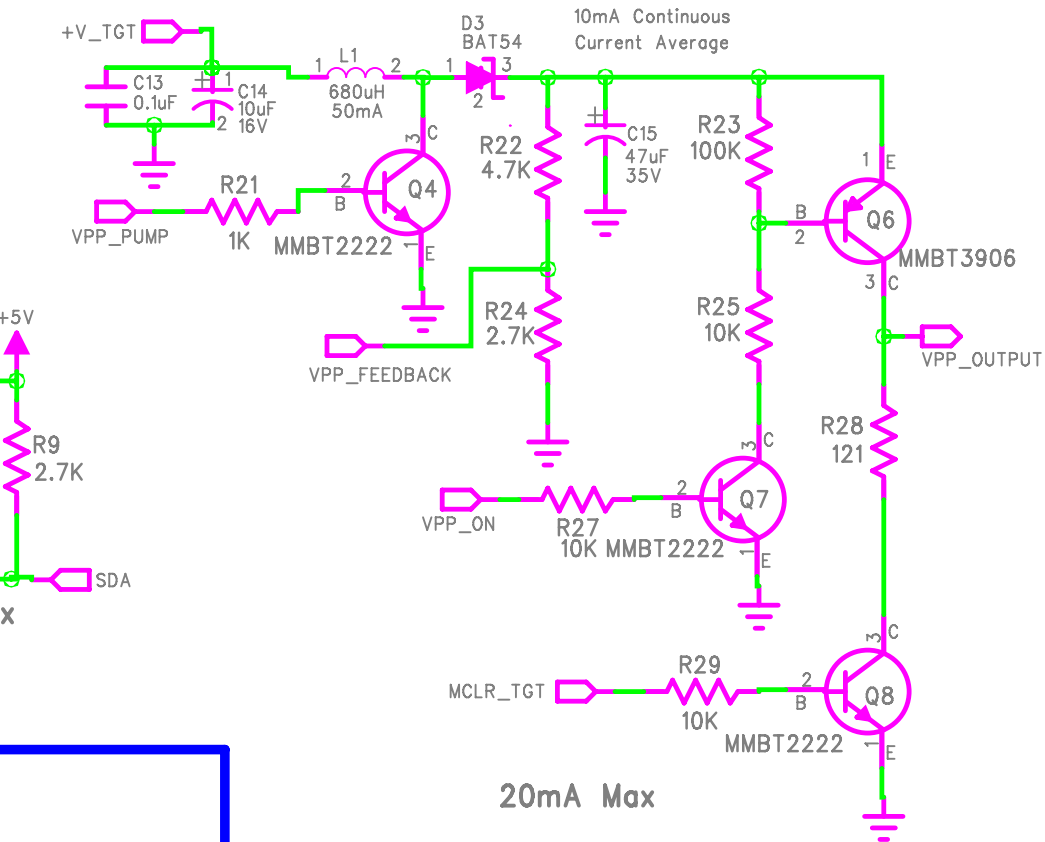
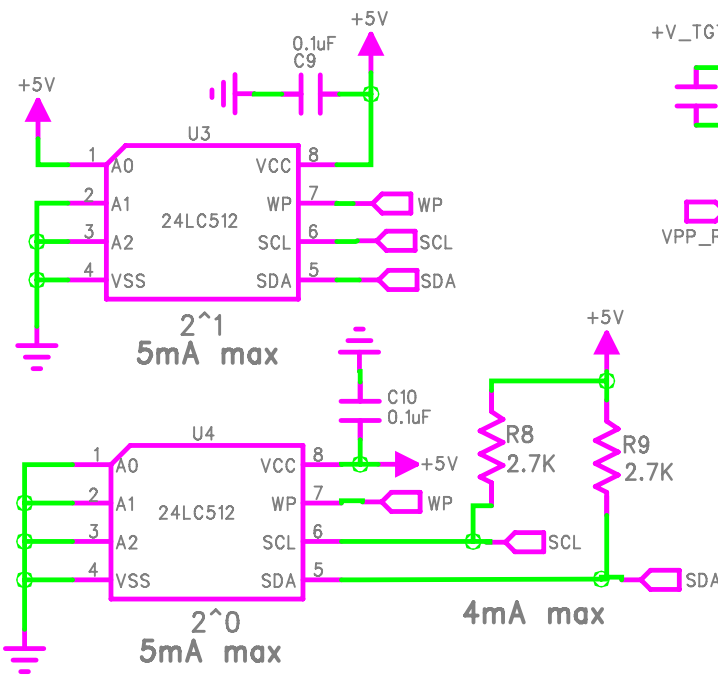
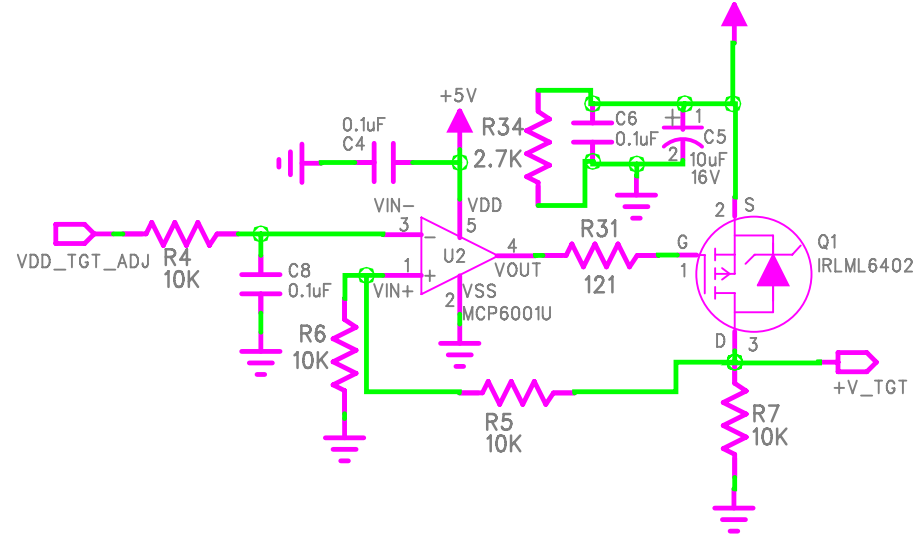
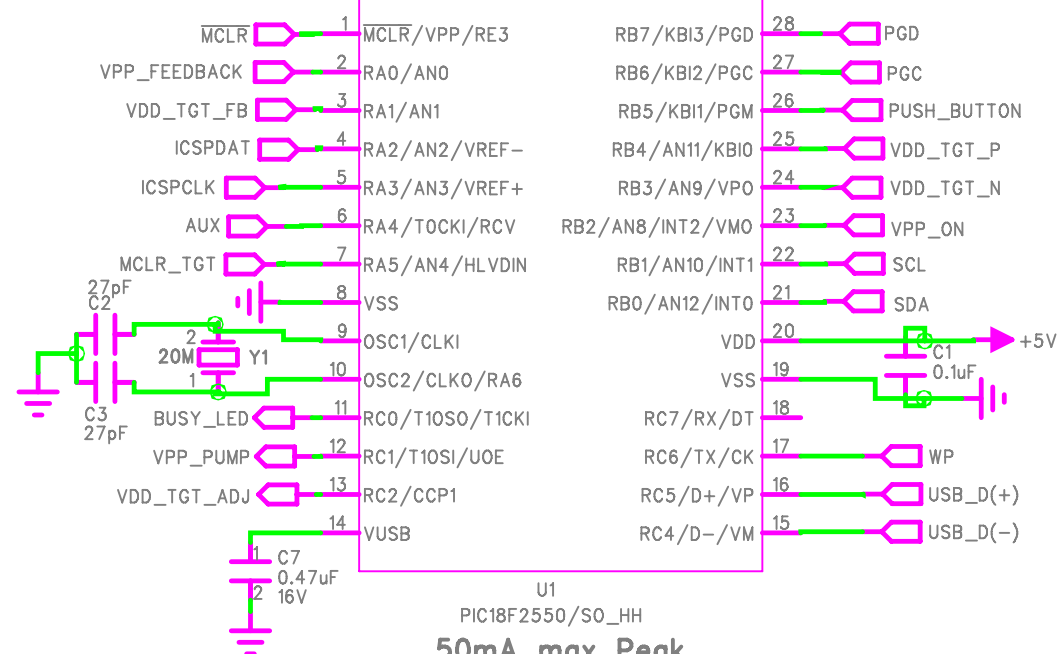
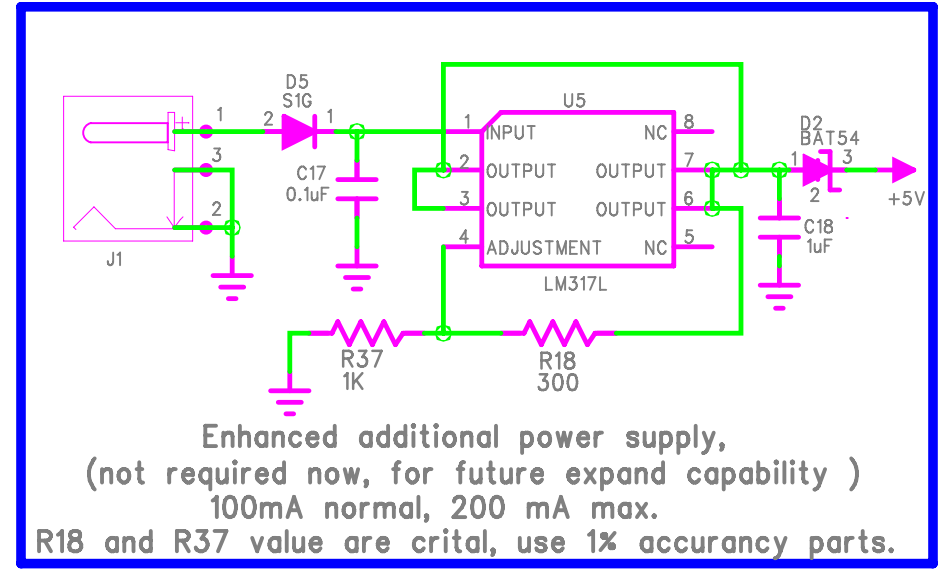
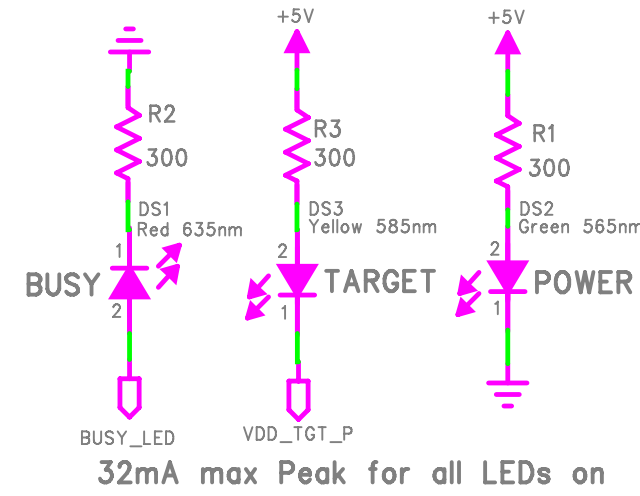
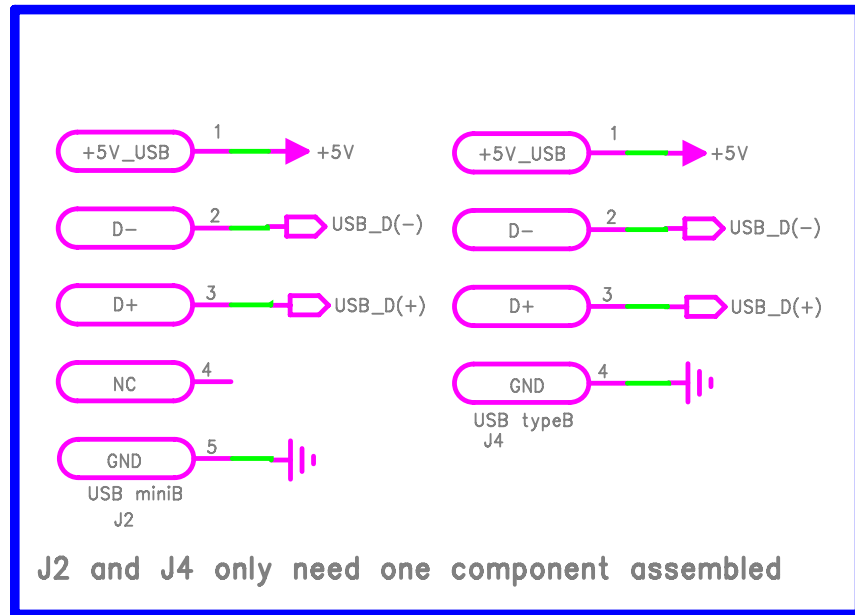
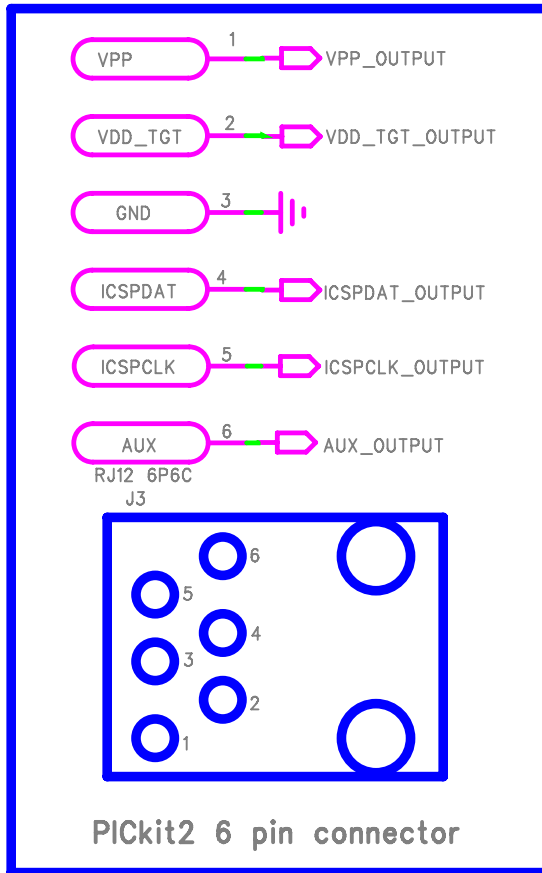
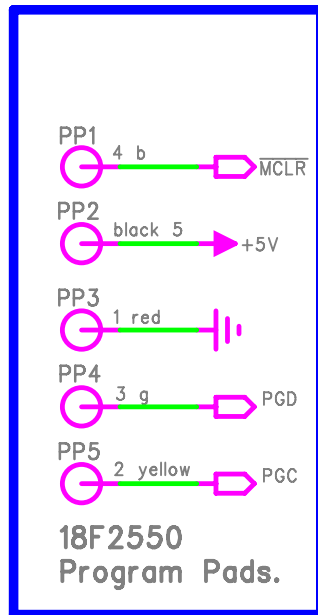
C

B

B

A

A



Note:

- All MMBT2222 can be replaced by MMBT3904
- Au Groups Customer can request PDF file of this document Please Send request email to: AuGroups@hotmail.com
- Au Groups reserve the copyright of the design document. However, all open-sourced hardware design Document can be distributed freely without written approval.
- Contact designer if DIYers try to replace Q1 or U6.
- PICKit2 ICSP pin-sequence is reversed comparing with ICD2 ICSP pin-sequence A reverse-RJ12-cable can be made for ICD2 compatible purpose

Visit us at : www.AuElectronics.SelfIP.com
www.AuGroups.SelfIP.com
www.Handcraft.SelfIP.com

DRAWN:	DATED:
H.D	08/26/2007
CHECKED:	DATED:
C.C	09/03/2007
CONTROL:	DATED:
H.D	09/04/2007
RELEASED:	DATED:
H.D	09/04/2007

COMPANY: Au Group Electronics			
TITLE: Microchip PICKit 2; CB0703			
CODE: A	SIZE: A	DRAWING NO: CB0703	REV: A
SCALE: NTS			SHEET: 1 OF 1