



Au OBD2 CAN Diagnostic Cable

(Part#: CBL-OB2-CAN-03)

Rev. A
May 2023

Au Group Electronics OBD2 diagnostic cable (Part#: CBL-OB2-CAN-03) has a DB9 female connector on one end and an OBD2 male housing on the other end.

The OBD2 male housing can mate with OBD2 wire-to-wire Receptacle Housing on a vehicle. It is also compatible with Au cable part #: CBL-OB2-CAN-02.

The DB9 female connector can connect with Au Group Electronics J1939 and OBD2 CAN devices, such as Au Combo Interpreter. It will supply power; ground, CAN-H CAN-L to Au Group Electronics developed J1939 and OBD2 CAN devices.



Specification:

- Maximum cable length: 3 feet
- Weight: 60 gram
- Maximum current: 10A (continuous)
- Maximum voltage: 300V DC

Pin out and wire diagram CBL-OB2-CAN-03:

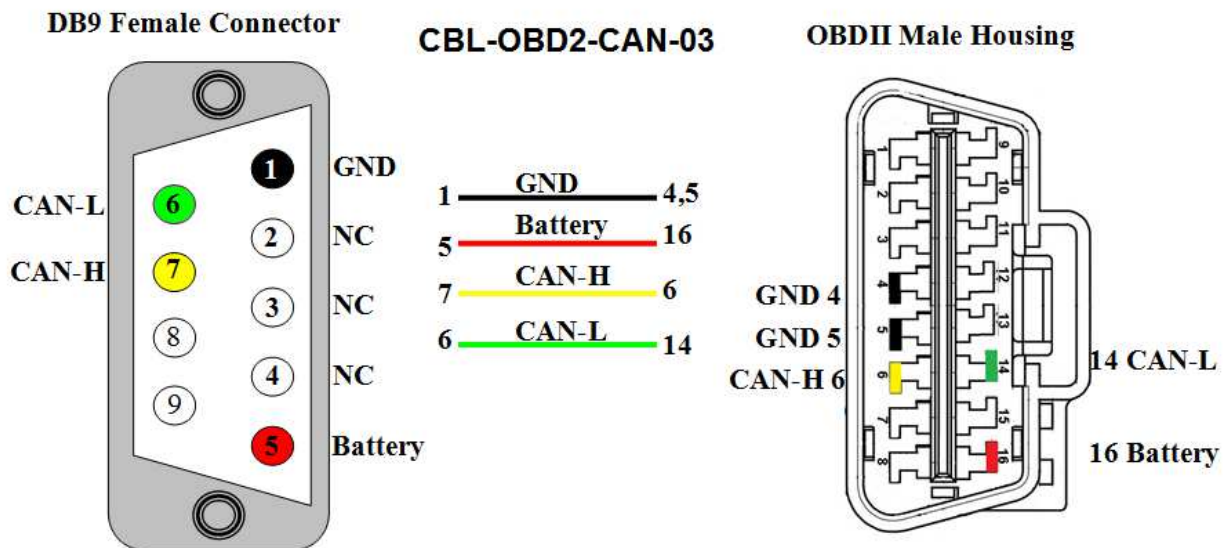


Figure 2 Pin-out and wire connection